

#### Features

- Certified 304 Grade 16 Gauge Stainless Steel.
- Undercounter
- Single Compartment
- Rounded Bowl
- Unique sound-deadening system with sound pads and a special coating.
- Lustrous and enduring finish which compliments any decor.
- Limited lifetime warranty.

#### Undercounter Kitchen



--- Dimensions ---  
 Outer  
 23-1/4" x 18" x 9"  
 Inner  
 21" x 15-3/4" x 9"

Model	Minimum Sink Base	Colors / Finishes
YS2318-9	27 inches	N/A

#### Included Components

- Mounting Clips
- Cut-out template

#### Colors / Finishes

- N/A None Applicable

#### Optional Accessories

- Standard Strainer
- Premium Strainer
- Sink Grid

#### Codes / Standards Applicable

Specified model meets or exceeds the following:

- Warnock Hersey Certified

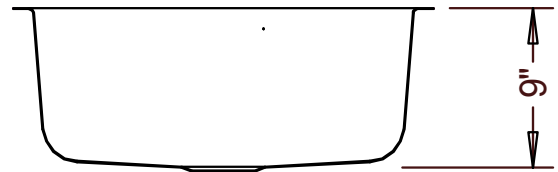
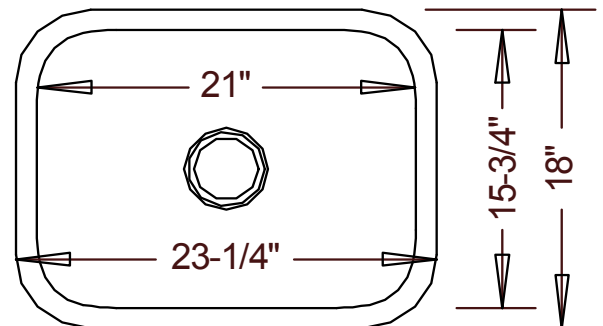


#### Product Specification

This undercounter sink shall be a single compartment with rounded bowl. It shall be 23-1/4" in length and 18" in width, with a bowl depth of 9". Sink shall be made of 16 gauge stainless steel. Sink shall include installation hardware.

**TECHNICAL INFORMATION**

<b>Fixture*</b>	
Basin Area	21" x 15-3/4"
Water Depth	9"
Drain Hole	3-5/8" D
*Approximate measurements for comparison only.	

**Product Image****Side View****Top View****Product Diagram**