

Specification Sheet

YD3120-10

Features

- Certified 304 Grade 16 Gauge Stainless Steel.
- Undercounter
- Dual Compartments
- Rounded Bowls
- Unique sound-deadening system with sound pads and a special coating.
- Lustrous and enduring finish which compliments any decor.
- Limited lifetime warranty.

Undercounter Kitchen



--- Dimensions ---

Outer

31-1/2" x 20-5/8" x 9"

Inner

17-3/4" x 18-5/8" x 9" (Left Bowl)

10-5/8" x 16" x 7" (Right Bowl)

Model	Minimum Sink Base	Colors / Finishes
YD3120-10	33 inches	N/A

Included Components

- Mounting Clips
- Cut-out template

Colors / Finishes

- N/A None Applicable

Optional Accessories

- Standard Strainer
- Premium Strainer
- Sink Grid
- Counterseal Laminate Undermount Ring

Codes / Standards Applicable

Specified model meets or exceeds the following:

- UPC Certified
- CSA Certified



Product Specification

This sink shall be a dual compartment with rounded bowls. It shall be 31-1/2" in length and 20-5/8" in width, with a left bowl depth of 9" and a right bowl depth of 7". Sink shall be made of 16 gauge stainless steel. Sink shall include installation hardware.

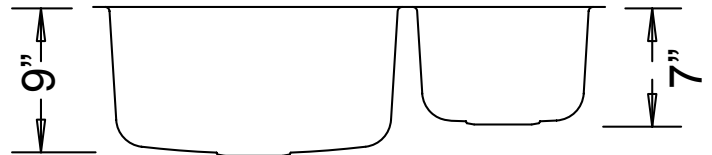
TECHNICAL INFORMATION

Fixture*	
Basin Area (Left Bowl)	17-3/4" x 18-5/8"
Basin Area (Right Bowl)	10-5/8" x 16"
Water Depth (Left Bowl)	9"
Water Depth (Right Bowl)	7"
Drain Hole (Each Bowl)	3-5/8" D
*Approximate measurements for comparison only.	

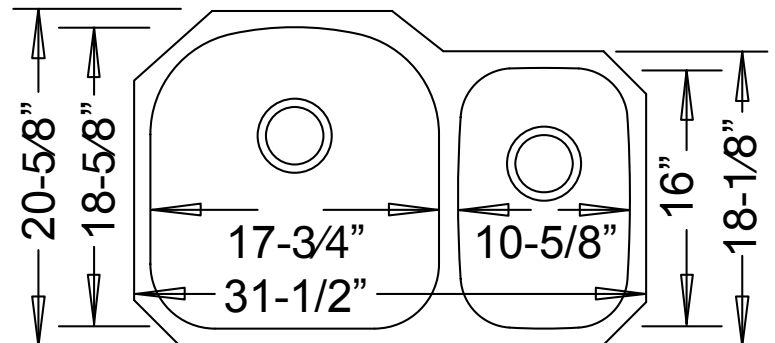


Product Image

Side View



Top View



Product Diagram