

FEATURED MODEL

YS2518-8

FEATURES

- Required outside cabinet: 30"
- 18 gauge, 304 series stainless steel
- Premium 18/10 chrome/nickel content
- Refined Brush Finish (RBF)
- Rear drain placement
- Design allows for easy installation in standard 25" countertop
- Sound deadening insulation and pads

CODE/STANDARDS COMPLIANCE

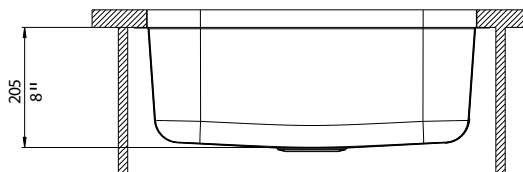
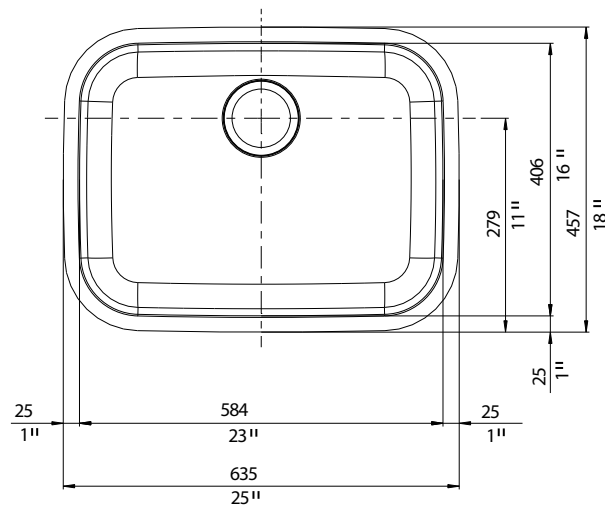
ASME 112.19.3-00
IAPMO/UPC listed



NOMINAL DIMENSIONS

OVERALL	BOWL DEPTH	DRAIN
25" x 18"	8"	3-1/2"

DXF cutout templates available on our website.



JOB INFORMATION

Job Name: _____

Contact: _____

Date Specified: _____

Specifier: _____

Contractor: _____