

Features

- Certified 304 Grade 16 Gauge Stainless Steel.
- Undercounter
- Single Compartment
- Rounded Bowl
- Unique sound-deadening system with sound pads and a special coating.
- Lustrous and enduring finish which compliments any decor.
- Limited lifetime warranty.

Undercounter Kitchen



--- Dimensions ---
Outer
31-1/4" x 18" x 9"
Inner
29-1/4" x 16" x 9"

Model	Minimum Sink Base	Colors / Finishes
TU-006 "Valiant"	36 inches	N/A

Included Components

- Mounting Clips
- Cut-out template

Colors / Finishes

- N/A None Applicable

Optional Accessories

- Standard Strainer
- Premium Strainer
- Sink Grid

Codes / Standards Applicable

Specified model meets or exceeds the following:

- Warnock Hersey Certified

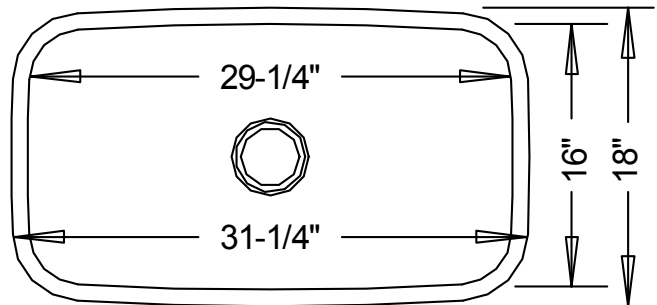


Product Specification

This undercounter sink shall be a single compartment with rounded bowl. It shall be 31-1/4" in length and 18" in width, with a bowl depth of 9". Sink shall be made of 16 gauge stainless steel. Sink shall include installation hardware.

TECHNICAL INFORMATION

Fixture*	
Basin Area	31-1/4" x 18"
Water Depth	9"
Drain Hole	3-5/8" D
*Approximate measurements for comparison only.	

**Product Image****Side View****Top View****Product Diagram**